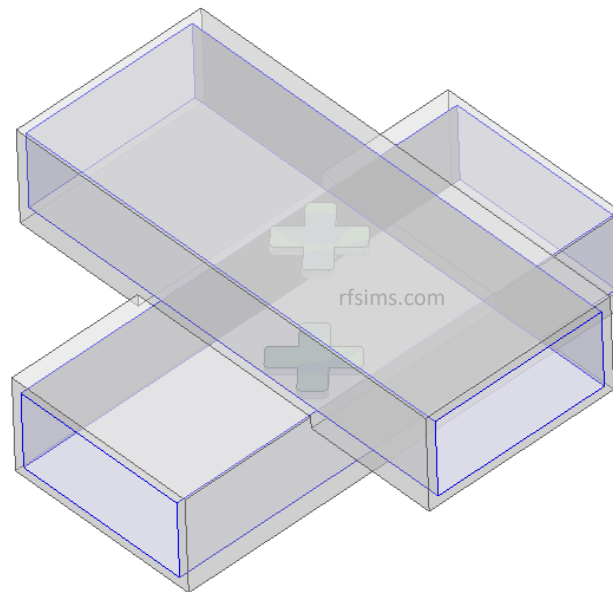
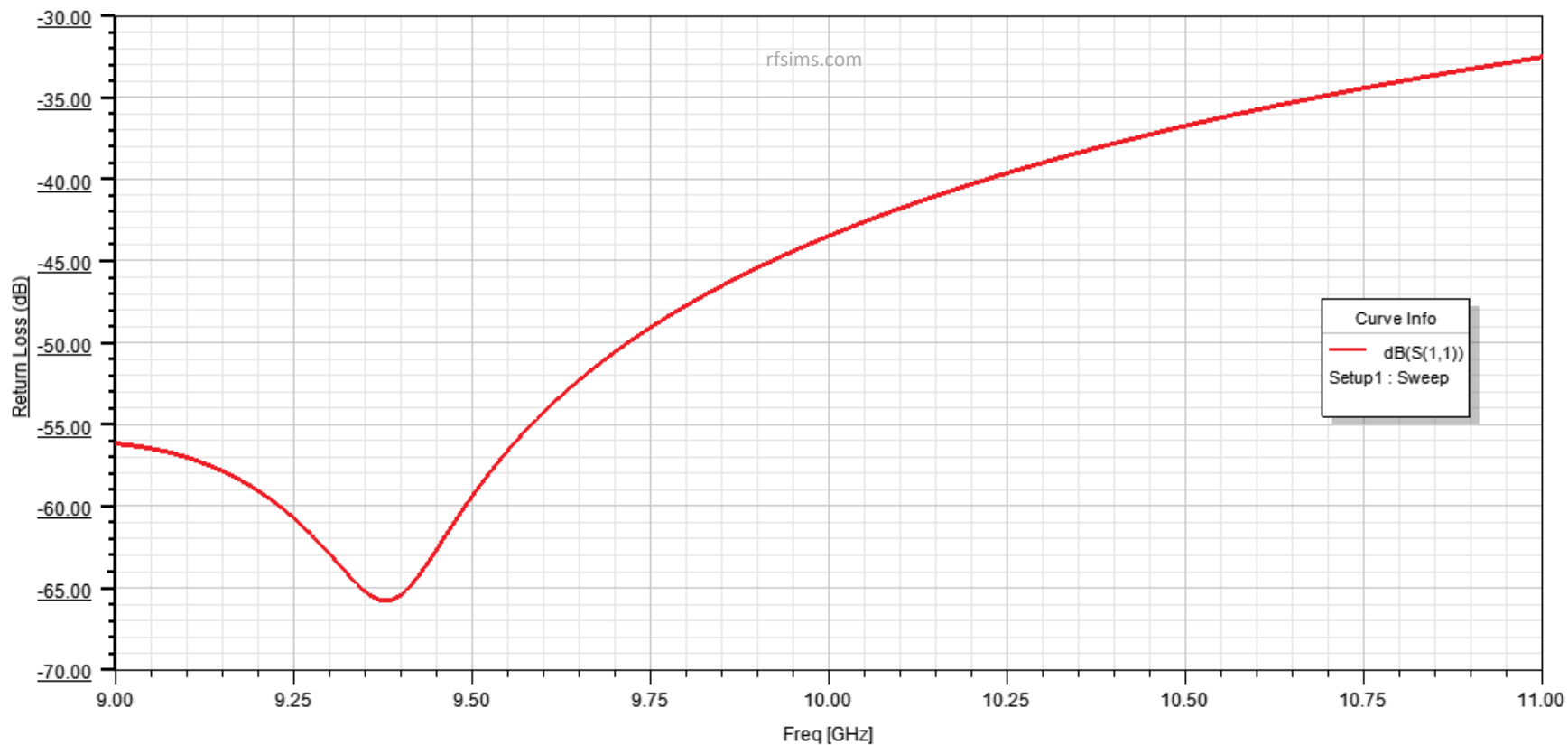


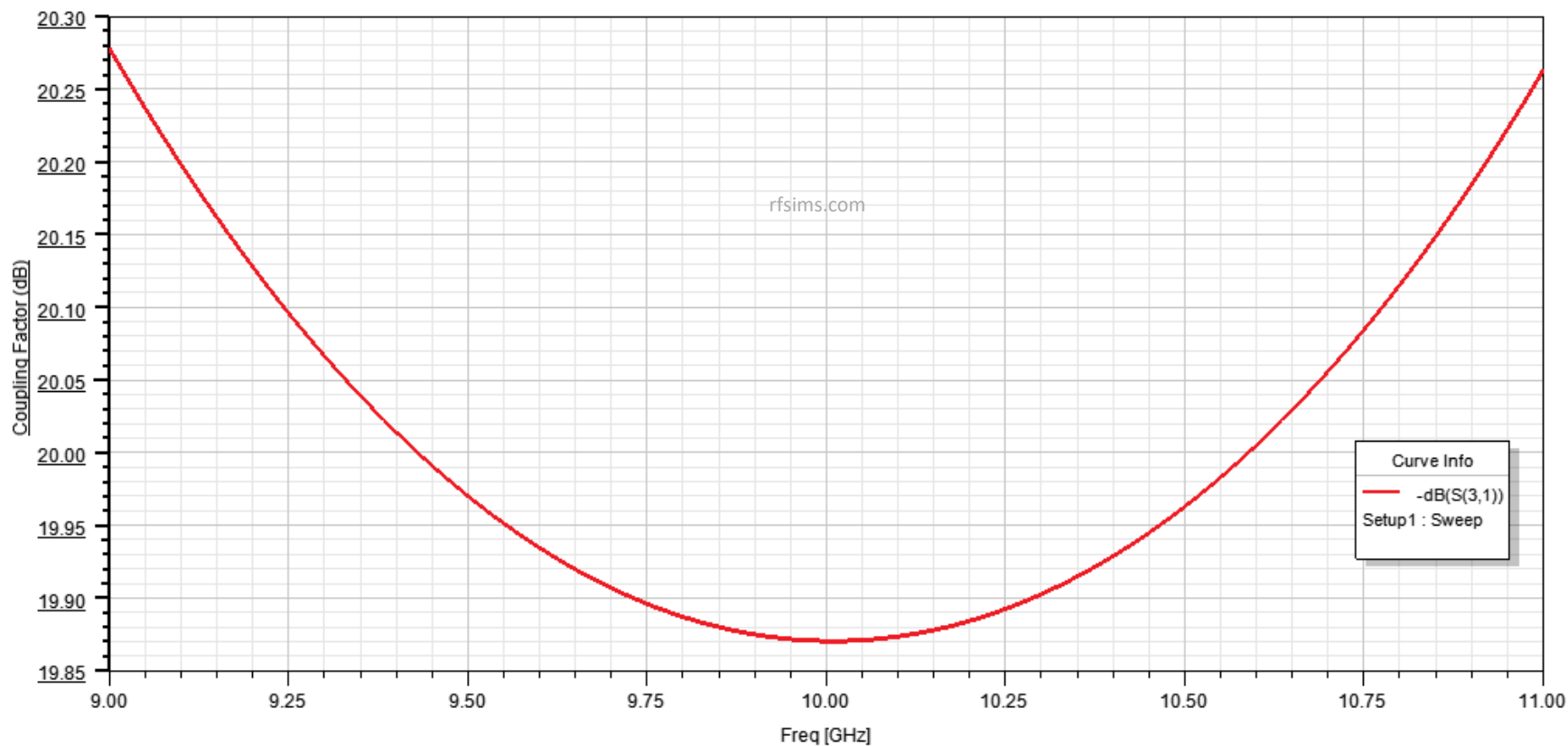
Directional Coupler Geometry



Return Loss (dB) vs Frequency (GHz)



Coupling Factor (dB) vs Frequency (GHz)



Directivity (dB) vs Frequency (GHz)

