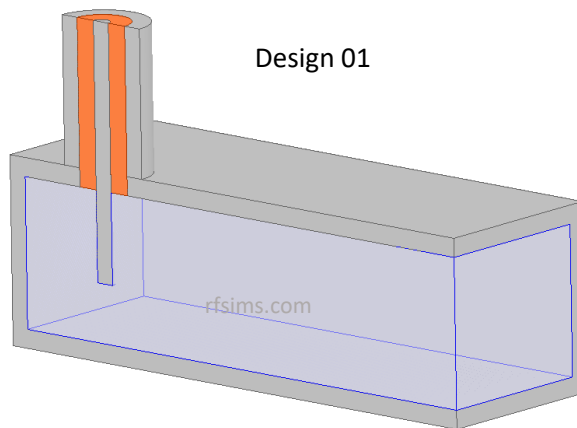
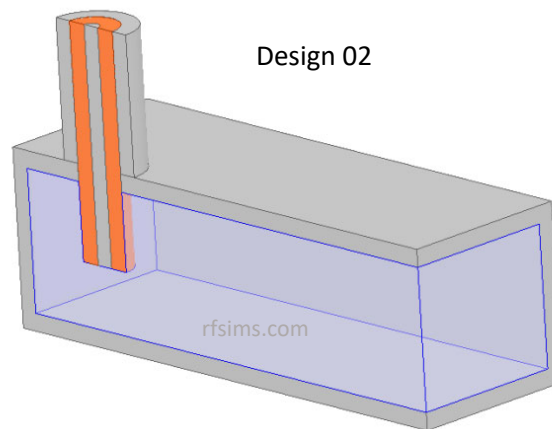


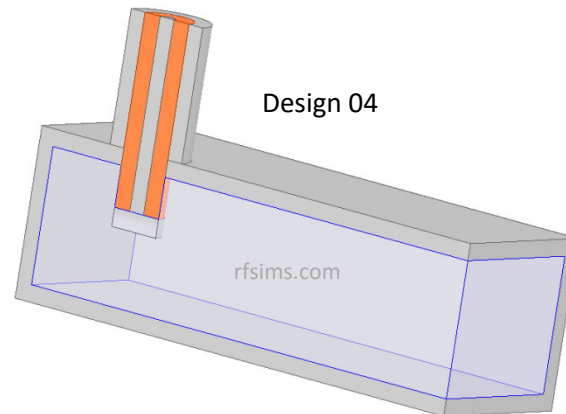
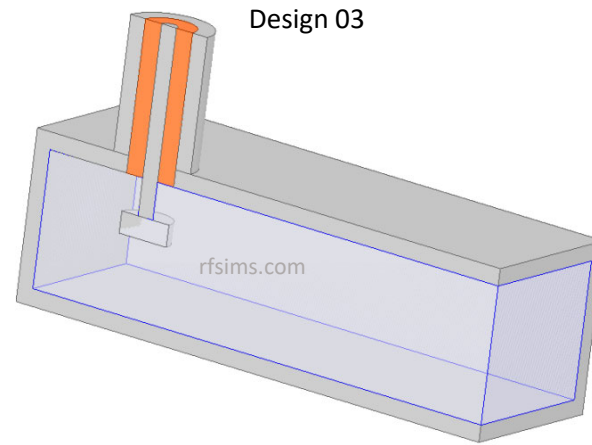
Adaptor Geometry

Design 01

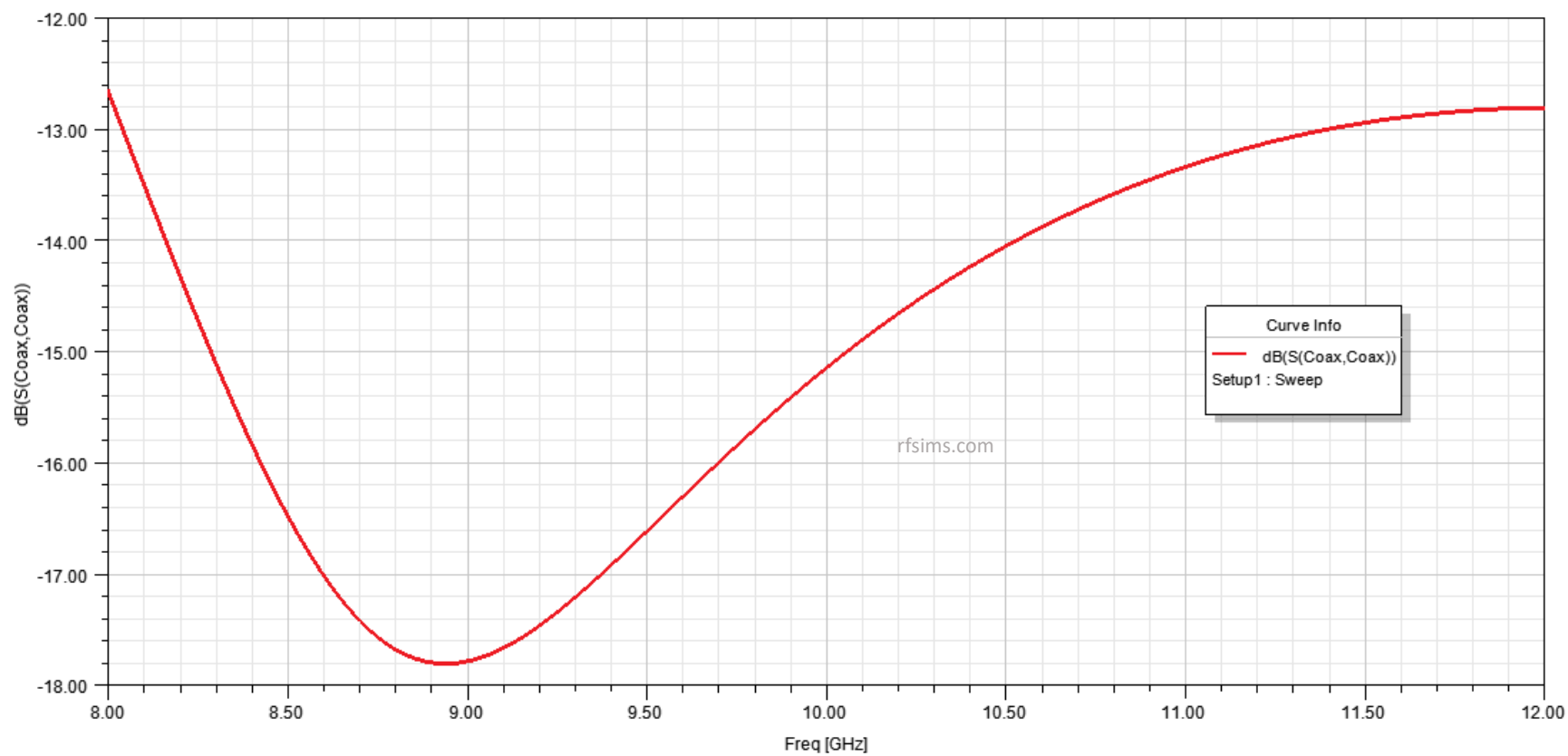


Design 02

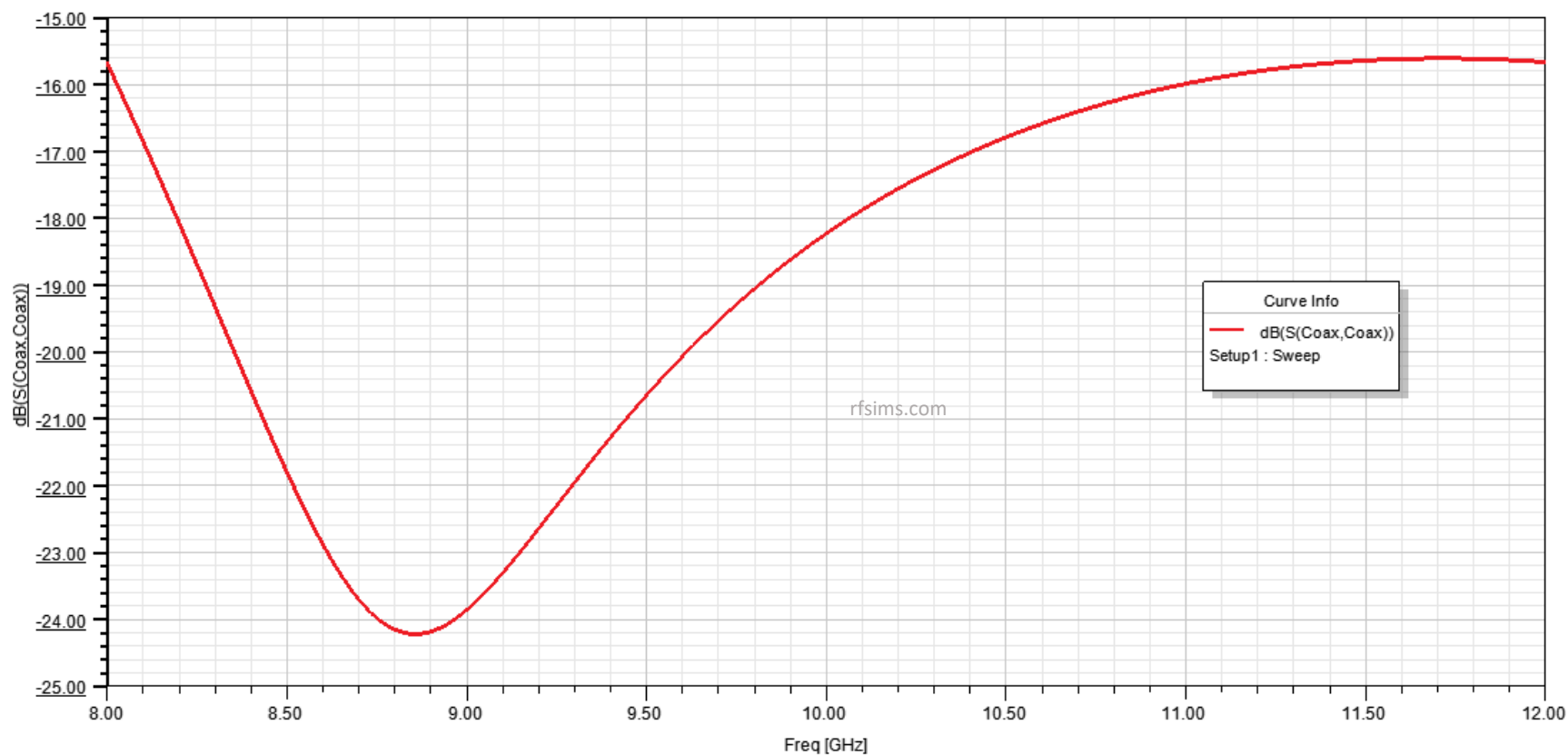




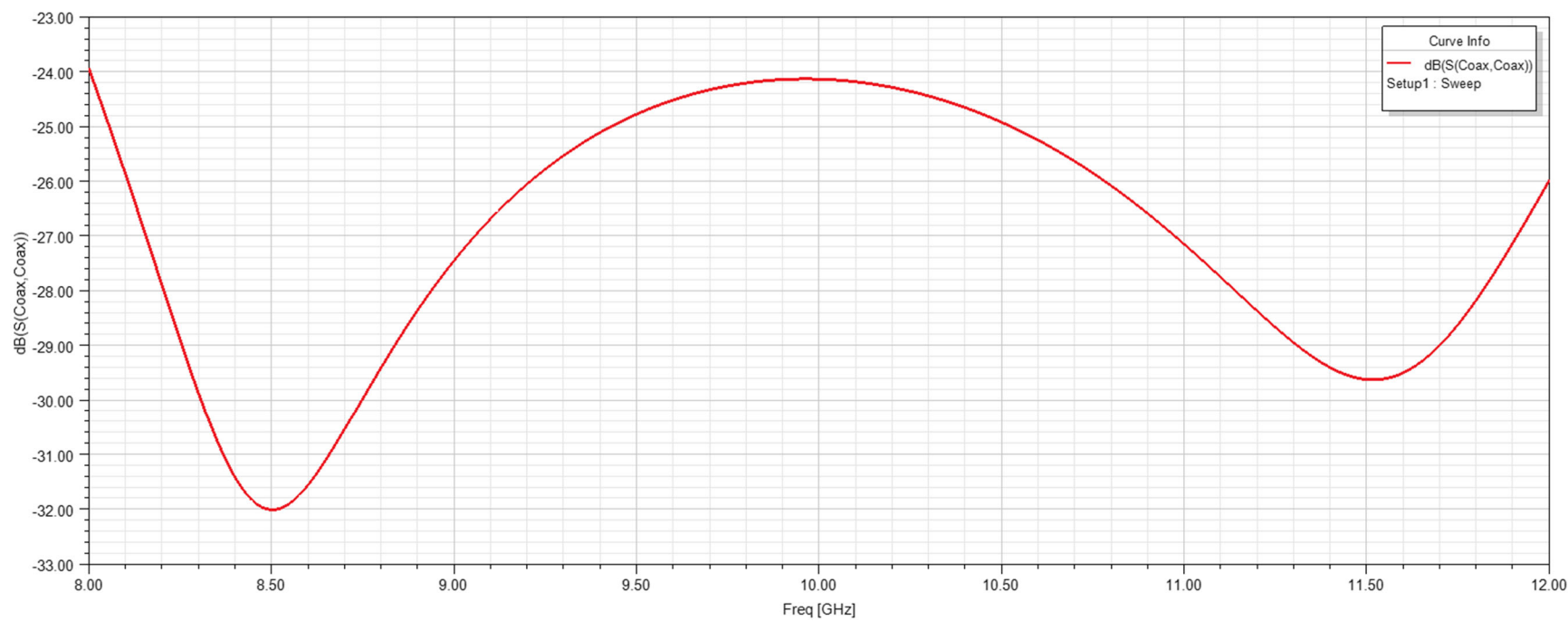
Return Loss (dB) vs Frequency (GHz): Design 01



Return Loss (dB) vs Frequency (GHz): Design 02



Return Loss (dB) vs Frequency (GHz): Design 03



Return Loss (dB) vs Frequency (GHz): Design 04

